



MD-P-Exp Series

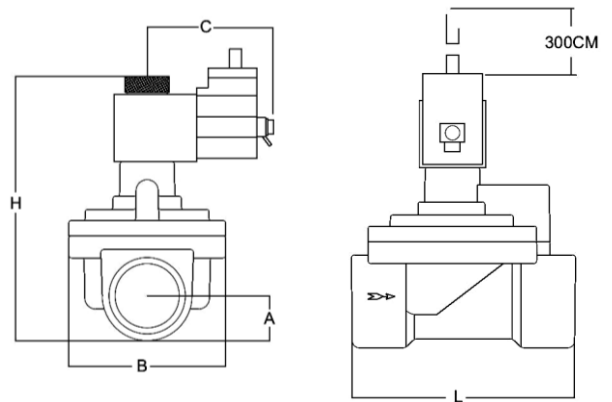
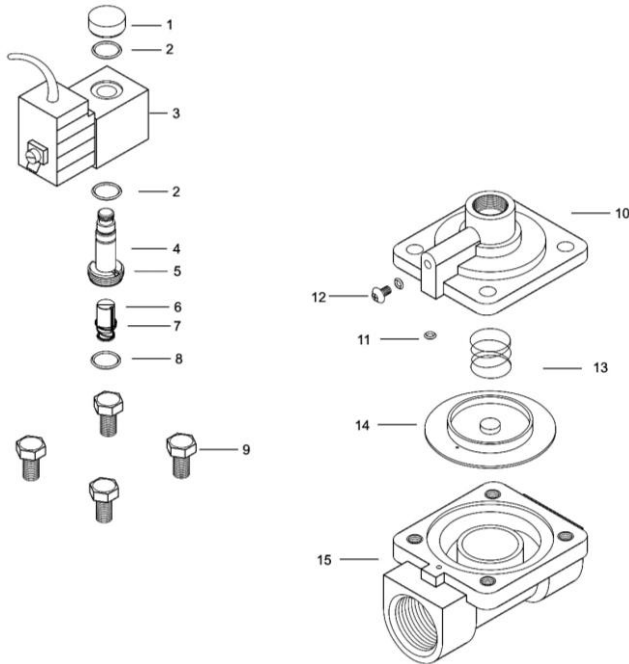
Pilot-operated Type

N.C.

Explosion-proof solenoid valve

MD-P10~25-Exp is equipped with imported Italian explosion-proof coils, certified by ATEX and IECEx. This normally closed, pilot-operated diaphragm solenoid valve features connection sizes ranging from PT3/8" to 1".

- Water
- Air
- Gas
- Oil



Main Parts List

NO.	Descriptions	Material	NO.	Descriptions	Material
1.	Nut	Aluminum	9.	Bolt	SUS304
2.	O ring	NBR	10.	Valve bonnet	BSBF
3.	IP 65 Molding coil		11.	O ring	NBR EPDM Viton
4.	Plunger's Tube	SS304, KM-31	12.	Screw	SUS304
5.	Plunger's Tube Nut	Zn	13.	Diaphragm spring	SUS304
6.	Plunger	KM-31	14.	Diaphragm	NBR EPDM Viton
7.	Plunger spring	SUS304	15.	Valve body	BSBF
8.	O ring	NBR EPDM Viton			

Common Specification

Item	Description
Fluid	Water, Air, Gas, Oil
Fluid Temperature	-5 ~ 90°C
Power Source	AC 24, 110, 220, 380V 50/60Hz DC 12, 24V
Power Consumption	5W
Fluid Viscosity	< 50 cst
Installation	Vertical / Horizontal
Operation	Normally Closed
Coil type	Explosion proof coil

Model Type

MD - P WAG - EXP

Series

Media · W : Water · A : Oil · G : Gas

Size · 10 (3/8") · 15 (1/2") · 20 (3/4") · 25 (1")

Valve Specification

Model	Connection	Orifice (mm)	Cv Value	Operating Pressure (kgf/cm ²)			Dimension (mm)				
				Air, Gas	Water	Oil (< 50cst)	L	H	B	A	C
MD-P10WAG-EXP	PT 3/8"	16	4.5	0.3-16	0.5-16	0.5-12	80	98	15	52	60
MD-P15WAG-EXP	PT 1/2"	16	4.5				80	98	15	52	
MD-P20WAG-EXP	PT 3/4"	23	7.6				90	108	17.5	62	
MD-P25WAG-EXP	PT 1"	28	9.6				100	118	23	72	