

MA Series

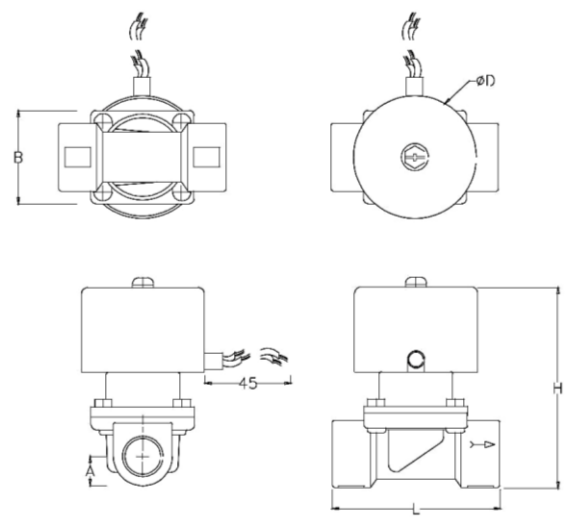
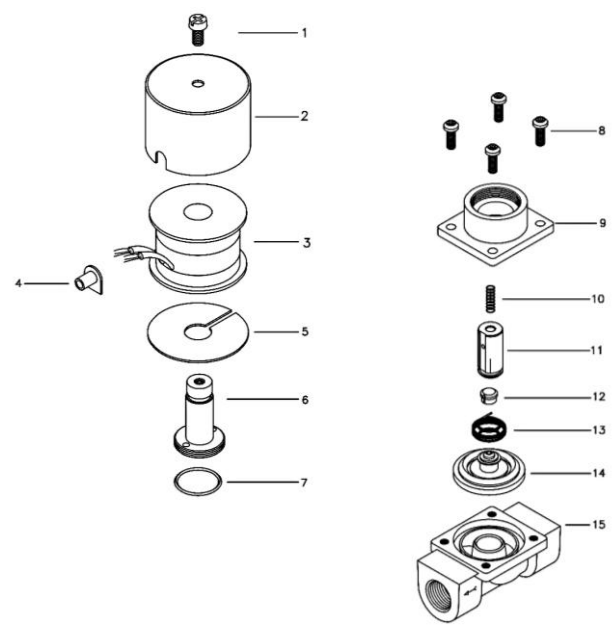
Semi Direct-acting Type

N.C.



- Suitable for air, inert gases, vacuum (10 Torr), water, kerosene oil, and oil (Below 50 cst).
- Diaphragm-operated pressure range from vacuum (10 Torr) up to 10 kgf/cm², quick acting.
- Can be mounted in vertical and horizontal position.

- Water
- Air
- Gas
- Oil



Unit:mm

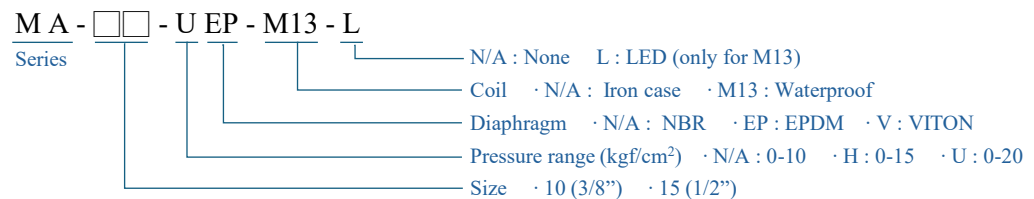
Main Parts List

NO.	Descriptions	Material	NO.	Descriptions	Material
1.	Bolt	SWRM	9.	Valve bonnet	C3771BE
2.	Coil bonnet	SPC	10.	Plunger spring	SUS304
3.	Solenoid coil	B Class	11.	Plunger	KM-31
4.	Lead collar	NBR	12.	Plunger seat	H NBR (EPDM)
5.	Spacer	SPC	13.	Spring	SUS304
6.	Plunger tube set	SUS 304, KM-31	14.	Diaphragm a'ssy	SUS 304, BSBF
7.	O ring	NBR (EPDM)	15.	Diaphragm a'ssy	H NBR (EPDM)
8.	Bolt	SUS304	16.	Valve body	C3771BE

Common Specification

Item	Description
Fluid	Water, Air, Gas, Oil
Fluid Temperature	-5 ~ 90°C
Power Source	AC 24, 110, 220, 380V 50/60Hz DC 12, 24V * AC110 / DC24V common use
Power Consumption	DC : 18W AC : 22 VA DC : 9W AC : 14 VA (M13 Coil)
Fluid Viscosity	< 50 cst
Installation	Vertical / Horizontal
Operation	Normally Closed
Coil type	Iron case type : IP54 Waterproof : IP65

Model Type



Valve Specification

Model	Connection	Orifice (mm)	Cv Value	Operating Pressure (kgf/cm ²)		Leakage	Dimension (mm)					Weight (g)
				Air, Inert gases, Water	Oil (< 50 cst)		L	H	A	D	B	
MA-10	PT 3/8"	12	2.4	0 - 10	0 - 7	> 0.1 kgf/cm ² 0 cc/min	68	87	13.5	Ø50	42	655
MA-15	PT 1/2"											