



MD-C(M17) Series

Pilot-operated Type

N.O.

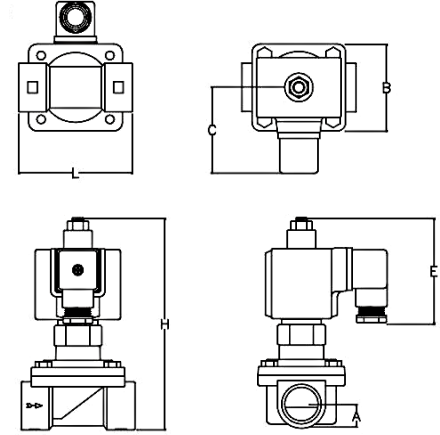
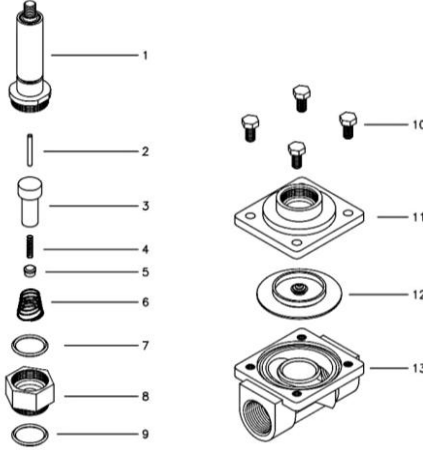
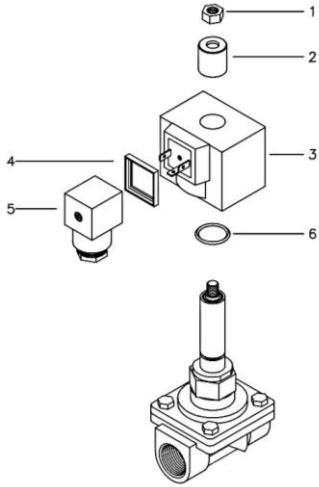
- Suitable for air, inert gases, vacuum (10 Torr), water, kerosene oil, and oil (Below 50 cst).
- Pilot operated, pressure range from 0.1kg*f/cm² to 10kg*f/cm².
- Can be mounted in vertical and horizontal position.

Water

Air

Gas

Oil



Main Parts List

NO.	Descriptions	Material
1.	Hexagon nut	SUS 304
2.	Coil sleeve	SUS 303L
3.	H class IP65 molding coil	
4.	Terminal box packing pad	
5.	Terminal box	
6.	O ring	NBR

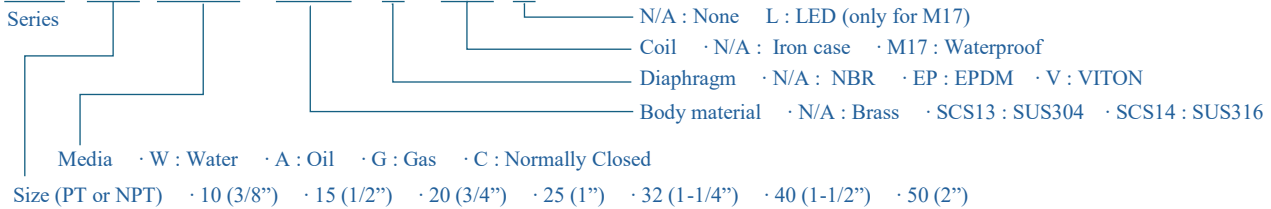
NO.	Descriptions	Material
1.	Plunger tube unit	SUS304, KM-31
2.	Needle stem	SUS 303L
3.	Seat sleeve	SUS 303L
4.	Plunger spring	SUS 304
5.	Plunger seat	H NBR
6.	Spring	SUS 304
7.	O ring	NBR
8.	Nut	SUS 303L
9.	O ring	NBR
10.	Hexagon bolt	SUS 304
8.	Valve bonnet	3/8"~1" (C3771BE) 1-1/4"~2" (BC6) 1/2"~2" (SCS13/SCS14)
12.	Diaphragm a'ssy	SUS304, BSBF(SUS304) NBR (EPDM) (Viton)
13.	Valve body	3/8"~1" (C3771BE) 1-1/4"~2" (BC6) 1/2"~2" (SCS13/SCS14)

Common Specification

Item	Description
Fluid	Water, Air, Gas, Oil
Fluid Temperature	-5 ~ 90°C
Power Source	AC 24, 110, 220, 380V 50/60Hz DC 12, 24V
Insulation Class	H Class = Max. 180°C
Power Consumption	DC : 21W AC : 26 VA
Fluid Viscosity	< 50 cst
Installation	Vertical / Horizontal
Operation	Normally Open
Coil type	Waterproof : IP65

Model Type

MD - □□ WAGC - SCS13 - EP - M17 - L



Valve Specification

Model	Connection	Orifice (mm)	Cv Value	Operating Pressure (kgf/cm ²)		Dimension (mm)						Weight (kg)
				Air, Water Inert gases	Oil (< 50cst)	L	H	A	B	C	E	
MD-10WAGC-M17	PT 3/8"	16	3.7	0.1 - 10	0.1 - 7	70	147	15	52	65	73	1.1
MD-15WAGC-M17	PT 1/2"	16	3.7			70	147	15	52			1.1
MD-20WAGC-M17	PT 3/4"	23	6.3			80	157	17.5	62			1.4
MD-25WAGC-M17	PT 1"	28	8			90	167	23	72			1.7
MD-32WAGC-M17	PT 1 1/4"	32	13			120	149	26	83			2.6
MD-40WAGC-M17	PT 1 1/2"	40	20.3			136	159	32	97			3.5
MD-50WAGC-M17	PT 2"	50	32			160	169	37	112			4.7