

KUHNWAY

MOTOR VALVE

JS, QUEEN SERIES



Motor Valves INDEX

JS Series

Motorized Ball Valve	1
Motorized Ball Valve for Steam	2
Motorized PVC Ball Valve	3
Motorized Three Way Ball Valve	4
Motorized Flanged Ball Valve	5
Motorized 3-Way Flanged Ball Valve	7
Motorized Wafer Type Butterfly Valve	9
Motorized PVC Butterfly Valve	11

QUEEN Series

MK3 Motorized Ball Valve – Spring Return	13
MK3 Motorized 3-Way Ball Valve – Spring Return	14
MK7 Motorized Ball Valve	15
MK7 Motorized Flanged Ball Valve	16
MK7 Wiring Sketch of Actuator	17



JS Motorized Ball Valve

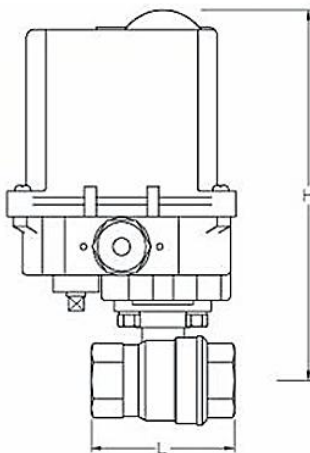
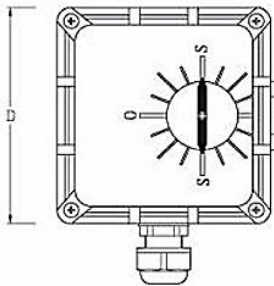


Common Specification

Item	Description
Operation voltage for On/Off Standard type	<ul style="list-style-type: none"> • 24VDC • 24VAC/VDC • 110VAC (1PH) • 220VAC (1PH)
Media	Oil, Air, Water
Fluid temp.	10~60°C Other temp. available on request
Pressure range	Max. 10 kgf/cm ²
Valve material	SS316
Valve type	2-way threaded ball valve
Control method	<ul style="list-style-type: none"> • ON/OFF type • Modulating type
Dust/Waterproof	IP67 according to IEC 60529
Certification	Comply with CE directives

Description

The KUHNWAY motorized ball valve combines an electric actuator with a two-way threaded SUS 316 ball valve, offering simple operation, high reliability, and long service life. Available in threaded or flanged connections, it is ideal for remote control and automation in water systems, heating, and other applications.



Dimension (mm)

MODEL	PIPE SIZE		L	H	D
	mm	in			
JS-01-15-BLV	DN15	1/2"	60 (69)	186	127
JS-01-20-BLV	DN20	3/4"	67 (80)	190	127
JS-01-25-BLV	DN25	1"	83 (90)	195	127
JS-01-32-BLV	DN32	1-1/4"	97 (106)	202	127
JS-01-40-BLV	DN40	1-1/2"	107 (120)	217	127
JS-02-50-BLV	DN50	2"	130 (140)	223	127

JS Motorized Threaded Ball Valve for Steam

Common Specification

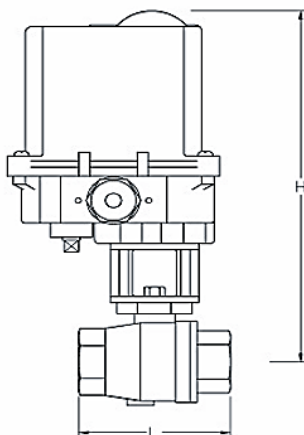
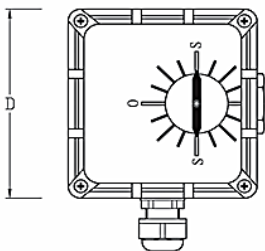


Item	Description
Operation voltage for On/Off Standard type	<ul style="list-style-type: none"> • 24VDC • 24VAC/VDC • 110VAC (1PH) • 220VAC (1PH)
Media	High temp. liquid(gas), light oil, steam
Fluid temp.	0~180°C
Pressure range	Max. 10 kgf/cm ²
Valve material	SS316
Valve type	2-way threaded ball valve
Control method	<ul style="list-style-type: none"> • ON/OFF type • Modulating type
Dust/Waterproof	IP67 according to IEC 60529
Certification	Comply with CE directives

Description

The KUHNWAY motorized ball valve combines an electric actuator with a two-way threaded SUS 316 ball valve, offering simple operation, high reliability, and long service life.

Available in threaded or flanged connections, it is ideal for remote control and automation in water systems, heating, and other applications.



Dimension (mm)

MODEL	PIPE SIZE		L	H	D
	mm	in			
JS-01-15S-BLV	DN15	1/2"	62	214	127
JS-01-20S-BLV	DN20	3/4"	73	219	127
JS-01-25S-BLV	DN25	1"	80	224	127
JS-01-32S-BLV	DN32	1-1/4"	96	235	127
JS-01-40S-BLV	DN40	1-1/2"	115	239	127
JS-02-50S-BLV	DN50	2"	133	250	127

JS Motorized PVC Ball Valve



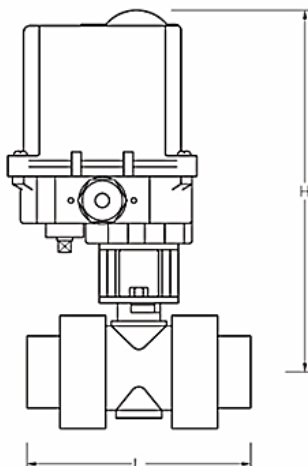
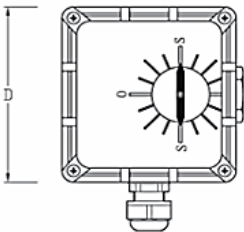
Common Specification

Item	Description
Operation voltage for On/Off Standard type	<ul style="list-style-type: none"> • 24VDC • 24VAC/VDC • 110VAC (1PH) • 220VAC (1PH)
Media	Water, acidic and alkaline fluids
Fluid temp.	10~50°C
Pressure range	Max. 10 kgf/cm ²
Valve material	• PVC • PP
Valve type	PVC double union ball valve
Control method	<ul style="list-style-type: none"> • ON/OFF type • Modulating type
Dust/Waterproof	IP67 according to IEC 60529
Certification	Comply with CE directives

Description

The motorized PVC ball valve is a durable, cost-effective shut-off valve for water, air, and corrosive media such as acids and alkalis.

With excellent chemical resistance and lightweight construction, it is ideal for irrigation, water systems, and corrosive applications, suitable for media temperatures up to 50 °C.



Dimension (mm)

MODEL	PIPE SIZE		L	H	D
	mm	in			
JS-01-15-PVC	DN15	1/2"	114	213	127
JS-01-20-PVC	DN20	3/4"	135	219	127
JS-01-25-PVC	DN25	1"	149	225	127
JS-01-32-PVC	DN32	1-1/4"	168	236	127
JS-01-40-PVC	DN40	1-1/2"	175	239	127
JS-02-50-PVC	DN50	2"	208	256	127

JS Motorized Three-Way Ball Valve

Common Specification



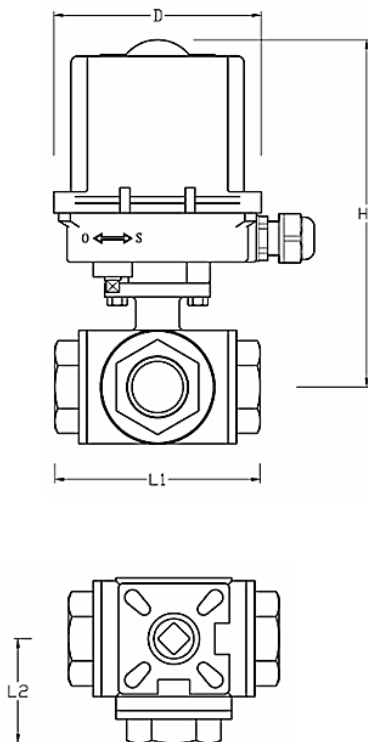
Item	Description
Operation voltage for On/Off Standard type	<ul style="list-style-type: none"> • 24VDC • 24VAC/VDC • 110VAC (1PH) • 220VAC (1PH)
Media	Oil, Air, Water
Fluid temp.	10~60°C Other temp. available on request
Pressure range	Max. 10 kgf/cm ²
Valve material	• Cast Iron • SUS 304/316
Valve type	3-way threaded ball valve
Control method	<ul style="list-style-type: none"> • ON/OFF type • Modulating type
Dust/Waterproof	IP67 according to IEC 60529
Certification	Comply with CE directives

Description

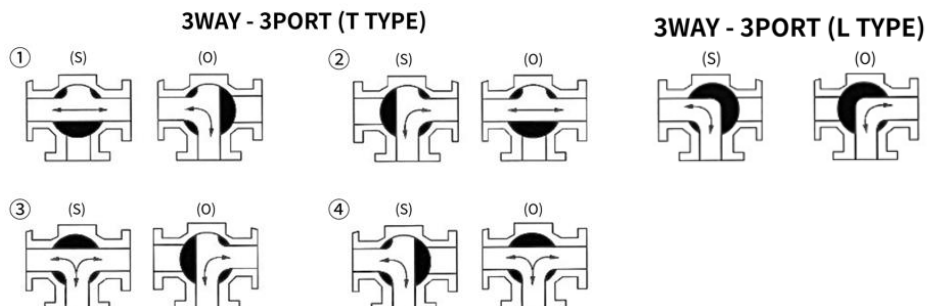
The 3-way motorized ball valve, available in L-type and T-type designs, controls flow direction by rotating a ported ball.

The T-type enables fluid mixing or distribution, while the L-type switches flow paths for diversion or isolation, making it ideal for flexible flow control in automation and fluid systems.

Dimension (mm)



MODEL	PIPE SIZE		L1	L2	H	D
	mm	in				
JS-01-15-3WAY	DN15	1/2"	76	37	188	127
JS-01-20-3WAY	DN20	3/4"	87	45	195	127
JS-01-25-3WAY	DN25	1"	102	51	206	127
JS-02-32-3WAY	DN32	1-1/4"	118	58	211	127
JS-02-40-3WAY	DN40	1-1/2"	126	63	228	127
JS-03-50-3WAY	DN50	2"	149	75	287	157



JS Motorized Flanged Ball Valve



■ Common Specification

Item	Description
Operation voltage for On/Off Standard type	<ul style="list-style-type: none"> • 24VDC • 24VAC/VDC • 110VAC (1PH) • 220VAC (1PH)
Media	Oil, Air, Water
Fluid temp.	-20~100°C Other temp. available on request
Pressure range	Max. 10 kgf/cm ²
Valve material	<ul style="list-style-type: none"> • Cast Iron • SUS 304/316
Valve type	Flanged ball valve
Control method	<ul style="list-style-type: none"> • ON/OFF type • Modulating type
Dust/Waterproof	IP67 according to IEC 60529
Certification	Comply with CE directives

■ Description

This electrically controlled flanged ball valve, available in cast iron, SUS 304, or SUS 316, offers robust remote on/off control for various applications.

Known for simple operation, high reliability, and long service life, it supports threaded or flanged connections for easy installation.

Ideal for remote control and automation, it is widely used in water systems and heating applications.

■ Features

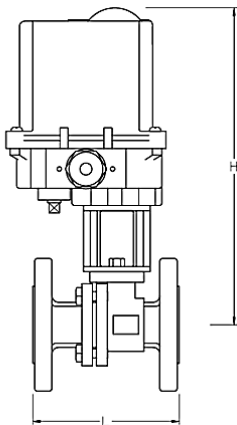
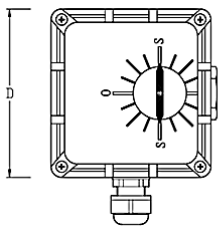
- **Remote Automatic Control** - Equipped with an electric actuator for precise remote on/off operation.
- **Multiple Material Options** - Valve body commonly available in cast iron, stainless steel 304, and stainless steel 316 to suit various media environments.
- **Excellent Sealing Performance** - Ball design ensures tight sealing to prevent leaks.
- **Compact and Durable Construction** - Simple and robust structure for long-lasting, stable operation with low maintenance.
- **Multiple Connection Types** - Supports flanged and threaded connections for flexible and easy installation.
- **Wide Pressure Range** - Suitable for high-pressure applications across various industries.
- **Smooth and Fast Operation** - Electric drive enables quick valve opening and closing, enhancing process efficiency.

JS Motorized Flanged Ball Valve

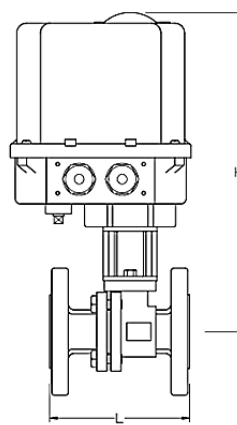
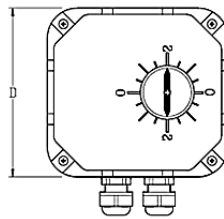
■ **Dimension (mm)**

MODEL	Electric Actuator Type	PIPE SIZE		L	H	D	E
		mm	in				
JS-02-15F-BLV	JS-02	DN15	1/2"	110	270	127	-
JS-02-20F-BLV		DN20	3/4"	120	275	127	-
JS-02-25F-BLV		DN25	1"	130	285	127	-
JS-03-32F-BLV	JS-03	DN32	1-1/4"	140	345	157	-
JS-03-40F-BLV		DN40	1-1/2"	165	360	157	-
JS-03-50F-BLV		DN50	2"	180	365	157	-
JS-03-65F-BLV		DN65	2-1/2"	190	420	157	-
JS-03-80F-BLV		DN80	3"	200	430	157	-
JS-03H-40F-BLV	JS-03H	DN40	1-1/2"	165	380	163	340
JS-03H-50F-BLV		DN50	2"	180	383	163	340
JS-03H-65F-BLV		DN65	2-1/2"	190	427	163	340
JS-03H-80F-BLV		DN80	3"	200	442	163	340
JS-04H-100F-BLV	JS-04H	DN100	4"	230	456	163	340
JS-05H-125F-BLV	JS-05H	DN125	5"	300	502	163	340
JS-06H-150F-BLV	JS-06H	DN150	6"	340	506	163	340

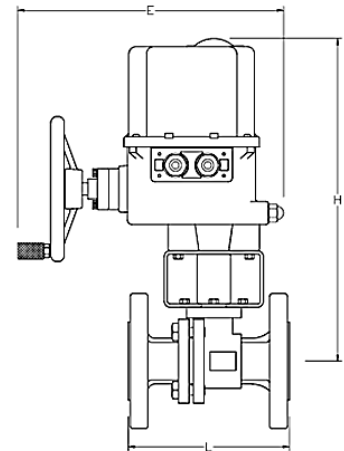
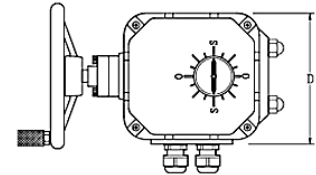
JS-02



JS-03



JS-03H~06H



JS Motorized 3-Way Flanged Ball Valve



■ Common Specification

Item	Description
Operation voltage for On/Off Standard type	<ul style="list-style-type: none"> • 24VDC • 24VAC/VDC • 110VAC (1PH) • 220VAC (1PH)
Media	Oil, Air, Water
Fluid temp.	-20~100°C Other temp. available on request
Pressure range	Max. 10 kgf/cm ²
Valve material	• Cast Iron • SUS 304/316
Valve type	3-Way Flanged ball valve
Control method	<ul style="list-style-type: none"> • ON/OFF type • Modulating type
Dust/Waterproof	IP67 according to IEC 60529
Certification	Comply with CE directives

■ Description

The 3-way motorized flanged ball valve, available in L-type and T-type designs, controls flow direction by rotating a ported ball.

The T-type enables fluid mixing or distribution, while the L-type switches flow paths for diversion or isolation, making it ideal for flexible flow control in automation and fluid systems.

■ Features

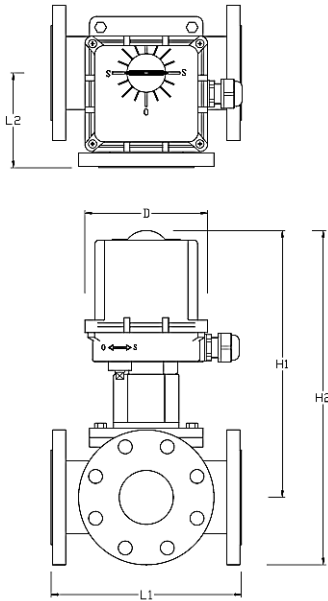
- **Multi-Directional Flow Control** - Rotating ball design enables flow diversion, mixing, or switching between pipelines.
- **Two Structural Designs** - Available in **L-type** (flow switching, diversion, or isolation) and **T-type** (fluid mixing or distribution).
- **Remote Automatic Operation** - Equipped with an electric actuator for precise and stable automated control.
- **High Sealing Performance** - Ball and seat design ensures tight sealing to prevent leakage.
- **Multiple Material Options** - Valve body available in cast iron, stainless steel 304, and stainless steel 316 for various media and conditions.
- **Compact and Durable Construction** - Simple, robust design ensures long service life and low maintenance.
- **Connection** - Complies with flange standards for secure installation in various piping systems.
- **Wide Application Range** - Ideal for water treatment, chemical processing, petroleum, food and beverage, and automation systems.

JS Motorized 3-Way Flanged Ball Valve

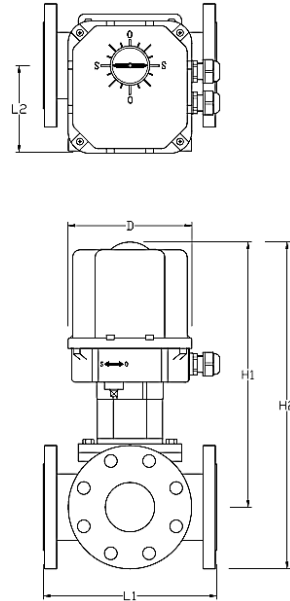
■ **Dimension (mm)**

MODEL	Electric Actuator Type	PIPE SIZE		D	E	L1	L2	H1	H2
		mm	in						
JS-01-25F-3WAY	JS-01	DN25	1"	127	-	180	90	271	334
JS-02-40F-3WAY	JS-02	DN40	1-1/2"	127	-	200	100	283	353
JS-03-40F-3WAY	JS-03	DN40	1-1/2"	157	-	200	100	334	404
JS-03-50F-3WAY		DN50	2"	157	-	220	110	340	417
JS-03-65F-3WAY		DN65	2-1/2"	157	-	250	125	365	452
JS-03H-25F-3WAY	JS-03H	DN25	1"	163	306	180	90	387	450
JS-03H-40F-3WAY		DN40	1-1/2"	163	314	200	100	399	469
JS-03H-50F-3WAY		DN50	2"	163	321	220	110	405	483
JS-03H-65F-3WAY		DN65	2-1/2"	163	331	250	125	430	518
JS-04H-80F-3WAY	JS-04H	DN80	3"	163	336	260	130	435	528
JS-05H-100F-3WAY	JS-05H	DN100	4"	163	349	340	170	455	560
JS-06H-125F-3WAY	JS-06H	DN125	5"	163	369	420	210	497	622
JS-06H-150F-3WAY		DN150	6"	163	384	432	216	517	657

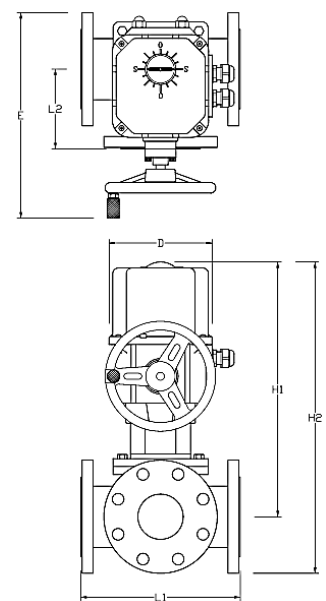
JS-01, 02



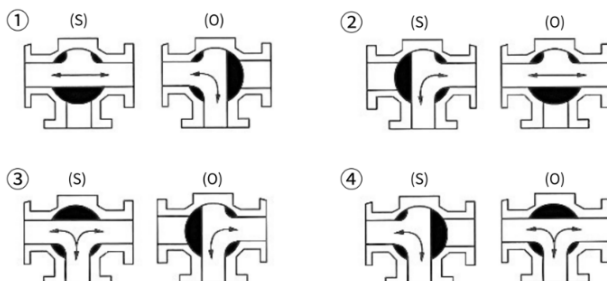
JS-03



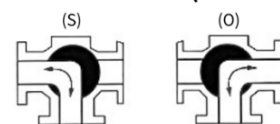
JS-03H~06H



3WAY - 3PORT (T TYPE)



3WAY - 3PORT (L TYPE)



JS Motorized Wafer Type Butterfly Valve



■ Common Specification

Item	Description
Operation voltage for On/Off Standard type	<ul style="list-style-type: none"> • 24VDC • 24VAC/VDC • 110VAC (1PH) • 220VAC (1PH)
Media	Oil, Air, Water
Fluid temp.	10~60°C Other temp. available on request
Pressure range	Max. 10 kgf/cm ²
Valve material	<ul style="list-style-type: none"> • Cast Iron • SUS 304/316
Valve type	Butterfly valve
Control method	<ul style="list-style-type: none"> • ON/OFF type • Modulating type
Dust/Waterproof	IP67 according to IEC 60529
Certification	Comply with CE directives

■ Description

This electrically controlled butterfly valve offers robust, durable remote on/off control for a wide range of applications.

Available in cast iron, stainless steel 304, and stainless steel 316, it features a compact, lightweight design for space-saving, flexible installation, and efficient operation.

Its simple structure minimizes maintenance, making it a cost-effective and widely used valve choice.

■ Features

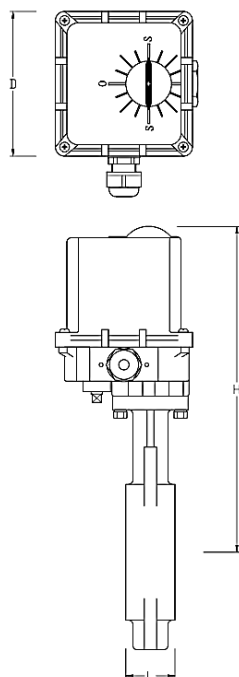
- **Remote Automatic Control** – Operated by an electric actuator for precise on/off control, ideal for automated systems.
- **Simple Structure** – Consists mainly of the valve body, disc, seat, and actuator, with fewer parts and lower failure rates.
- **Compact and Lightweight** – Wafer-type installation saves space and makes handling and maintenance easier.
- **Multiple Material Options** – Available in cast iron, stainless steel 304, and stainless steel 316 to suit different media and environments.
- **Easy Installation** – Wafer-type design allows quick mounting between pipe flanges for fast installation and removal.
- **Low Flow Resistance** – When fully open, the disc is parallel to the flow direction, minimizing pressure loss.

JS Motorized Wafer Type Butterfly Valve

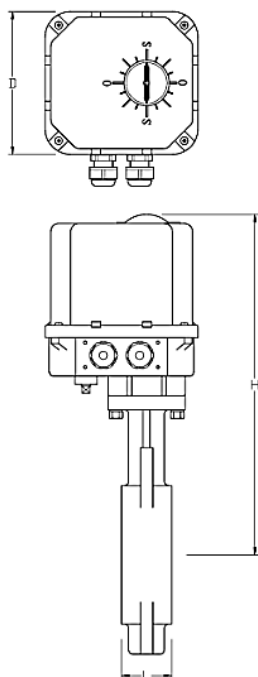
■ **Dimension (mm)**

MODEL	Electric Actuator Type	PIPE SIZE		L	H	D	E
		mm	in				
JS-02-50-BTV	JS-02	DN50	2"	43	286	127	-
JS-02-65-BTV		DN65	2-1/2"	46	295	127	-
JS-02-80-BTV		DN80	3"	46	301	127	-
JS-03-50-BTV	JS-03	DN50	2"	43	336	157	-
JS-03-65-BTV		DN65	2-1/2"	46	346	157	-
JS-03-80-BTV		DN80	3"	46	352	157	-
JS-03-100-BTV		DN100	4"	53	371	157	-
JS-03-125-BTV		DN125	5"	57	384	157	-
JS-03H-50-BTV	JS-03H	DN50	2"	43	401	163	340
JS-03H-65-BTV		DN65	2-1/2"	46	411	163	340
JS-03H-80-BTV		DN80	3"	46	417	163	340
JS-03H-100-BTV		DN100	4"	53	436	163	340
JS-03H-125-BTV		DN125	5"	57	449	163	340
JS-03H-150-BTV		DN150	6"	57	461	163	340
JS-04H-200-BTV	JS-04H	DN200	8"	60	491	163	340
JS-05H-250-BTV	JS-05H	DN250	10"	68	523	163	340
JS-06H-300-BTV	JS-06H	DN300	12"	78	558	163	340

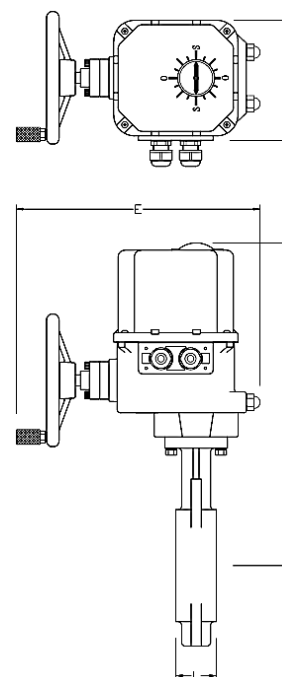
JS-01, 02



JS-03



JS-03H~06H



JS Motorized PVC Butterfly Valve



■ Common Specification

Item	Description
Operation voltage for On/Off Standard type	<ul style="list-style-type: none"> • 24VDC • 24VAC/VDC • 110VAC (1PH) • 220VAC (1PH)
Media	Oil, Air, Water
Fluid temp.	≤ 50°C
Pressure range	Max. 10 kgf/cm ²
Valve material	• Cast Iron • SUS 304/316
Valve type	Butterfly valve
Control method	<ul style="list-style-type: none"> • ON/OFF type • Modulating type
Dust/Waterproof	IP67 according to IEC 60529
Certification	Comply with CE directives

■ Description

This electrically controlled PVC butterfly valve is suitable for media temperatures up to 50 °C, offering excellent resistance to most salt solutions, acids, alkalis, and organic solvents.

Its compact, lightweight design saves space, simplifies installation, and improves process efficiency, while the simple structure minimizes maintenance and reduces costs, making it a reliable and economical choice.

■ Features

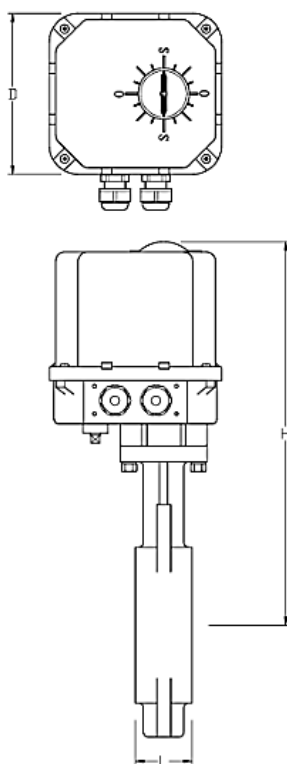
- **Excellent Corrosion Resistance** – PVC material withstands most salt solutions, acids, alkalis, and organic solvents.
- **Lightweight** – Lighter than metal butterfly valves for easier handling and installation.
- **Temperature Range** – Suitable for media temperatures up to 50 °C.
- **Moderate Pressure Rating** – Designed for low to medium pressure pipeline systems.
- **Remote Automatic Control** – Equipped with an electric actuator for precise on/off operation.
- **Simple Structure** – Fewer components for easy maintenance and lower failure rates.
- **Wafer-Type Installation** – Saves space and fits well in compact piping layouts.
- **Low Flow Resistance** – Disc aligns with the flow when fully open, minimizing pressure loss.
- **Wide Applications** – Ideal for water treatment, chemical processing, seawater, swimming pools, and other corrosive or non-corrosive media.

JS Motorized PVC Butterfly Valve

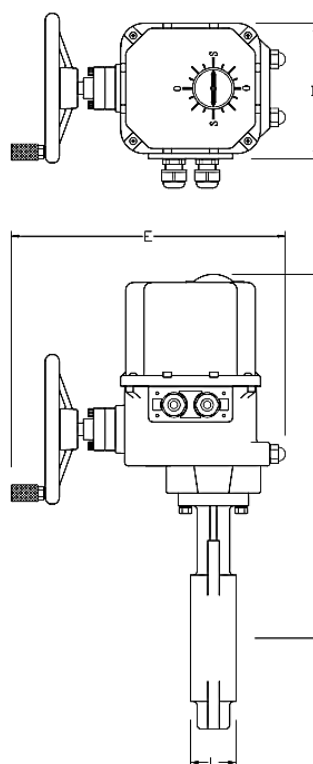
■ **Dimension (mm)**

MODEL	Electric Actuator Type	PIPE SIZE		L	H	D	E
		mm	in				
JS-03-50-PVC-BTV	JS-03	DN50	2"	43	303	163	-
JS-03-65-PVC-BTV		DN65	2-1/2"	46	314	163	-
JS-03-80-PVC-BTV		DN80	3"	49	326	163	-
JS-03-100-PVC-BTV		DN100	4"	56	343	163	-
JS-03-125-PVC-BTV		DN125	5"	64	370	163	-
JS-03H-50-PVC-BTV	JS-03H	DN50	2"	43	365	163	340
JS-03H-65-PVC-BTV		DN65	2-1/2"	46	379	163	340
JS-03H-80-PVC-BTV		DN80	3"	49	391	163	340
JS-03H-100-PVC-BTV		DN100	4"	56	408	163	340
JS-03H-125-PVC-BTV		DN125	5"	64	435	163	340
JS-03H-150-PVC-BTV		DN150	6"	70	446	163	340
JS-04H-200-PVC-BTV	JS-04H	DN200	8"	71	483	163	340
JS-05H-250-PVC-BTV	JS-05H	DN250	10"	114	526	163	340
JS-06H-300-PVC-BTV	JS-06H	DN300	12"	114	567	163	340

JS-03



JS-03H~06H



MK3 Motorized Ball Valve - Spring Return

Common Specification

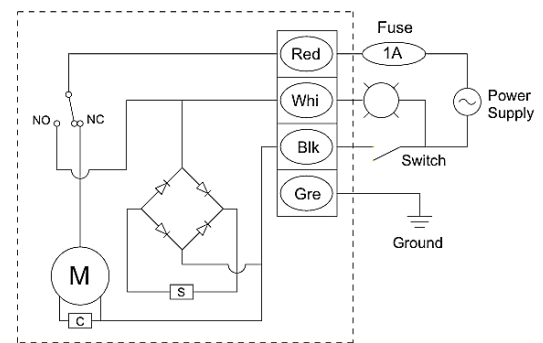
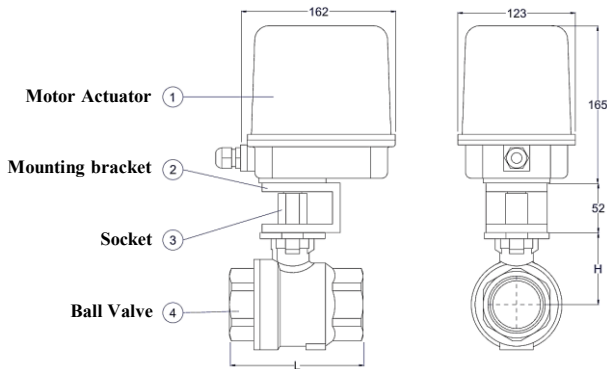


Item	Description
Rated Consumption	<ul style="list-style-type: none"> • AC100, 110, 115V 50/60Hz • AC200, 220, 230V 50/60Hz
Power Consumption	80VA(Motor) 8VA(Solenoid)
Media	Oil, Air, Water
Fluid temp.	-5 ~ 120°C
Ambient Temp.	0 ~ 50°C
Max. Pressure Diff.	10 kgf/cm ² (50A 3kgf/cm ²)
Max. Pressure	20 kgf/cm ²
Dust/Waterproof	IP65
Time for 90°	~ 2.5 sec
Installation	Vertical ± 15°

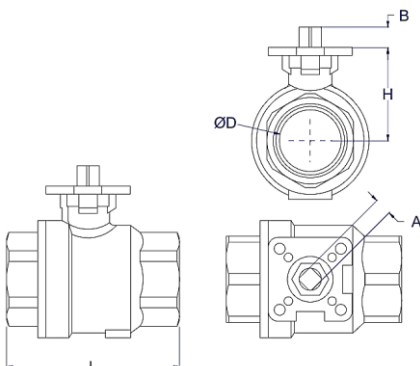
Features

- Two power cords wiring. (Same wiring sketch as Solenoid Valve)
- MK3 Actuator are fit for assembling with 2 way or 3-way ball valves.
- MK3 Actuator can set it as emergence shut-off (power on to open) or set it as emergence open (power off to close).
- MK3 are suit to pressure range from 0 - 10 kg*f/cm .
- Acting time 2.5 seconds from close position to open position, vice versa.
- Power failure or electric outage, MK3 are available for manual operation.
- With waterproof dust proof aluminum housing.

Wiring Sketch of Actuator

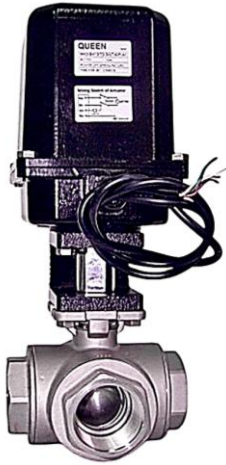


Dimensions (mm)



Size	ØD	L	H	A	B	ISO 5211
1/2"	15	69	35	9	10	F03-F04
3/4"	20	80	39	9	10	F03-F04
1"	25.4	90	45	11	14	F04-F05
1-1/4"	32	106	56	11	14	F04-F05
1-1/2"	38	120	63	14	19.5	F05-F07
2"	50	140	75	14	19.5	F05-F07

MK3 Motorized 3-Way Ball Valve - Spring Return



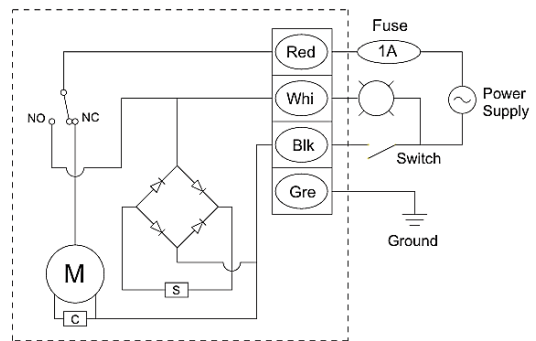
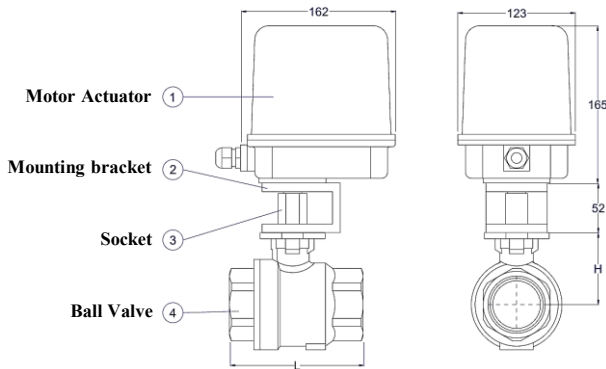
Common Specification

Item	Description
Rated Consumption	<ul style="list-style-type: none"> • AC100, 110, 115V 50/60Hz • AC200, 220, 230V 50/60Hz
Power Consumption	80VA(Motor) 8VA(Solenoid)
Media	Oil, Air, Water
Fluid temp.	-5 ~ 120°C
Ambient Temp.	0 ~ 50°C
Max. Pressure Diff.	10 kgf/cm ² (50A 3kgf/cm ²)
Max. Pressure	20 kgf/cm ²
Dust/Waterproof	IP65
Time for 90°	~ 2.5 sec
Installation	Vertical ± 15°

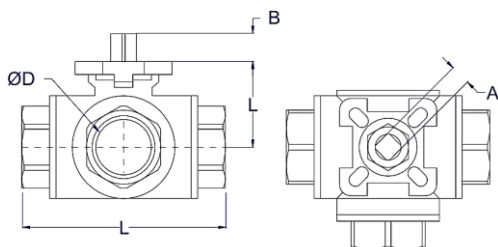
Features

- Two power cords wiring. (Same wiring sketch as Solenoid Valve)
- MK3 Actuator are fit for assembling with 2 way or 3-way ball valves.
- MK3 Actuator can set it as emergence shut-off (power on to open) or set it as emergence open (power off to close).
- MK3 are suit to pressure range from 0 - 10 kg*f/cm .
- Acting time 2.5 seconds from close position to open position, vice versa.
- Power failure or electric outage, MK3 are available for manual operation.
- With waterproof dust proof aluminum housing.

Wiring Sketch of Actuator



Dimensions (mm)



Size	ØD	L	H	A	B	ISO 5211
1/2"	15	75	38	9	10	F03-F04
3/4"	20	86	41	9	10	F03-F04
1"	25.4	110	47	11	14	F04-F05
1-1/2"	38	137	68	14	19.5	F05-F07
2"	50	158	80	14	19.5	F07

MK7 Motorized Ball Valve

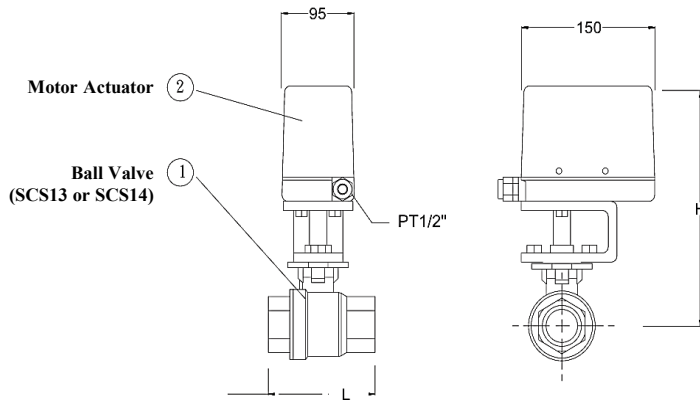


Common Specification

Item	Description
Rated Consumption	<ul style="list-style-type: none"> • AC100, 110, 115V 50/60Hz • AC200, 220, 230V 50/60Hz
Power Consumption	80VA
Media	Oil, Air, Water
Fluid temp.	-5 ~ 120°C
Ambient Temp.	0 ~ 50°C
Max. Pressure Diff.	10 kgf/cm ²
Max. Pressure	20 kgf/cm ²
Dust/Waterproof	IP65
Time for 90°	~7 sec (60Hz) ; ~7.5 sec (50Hz)
Installation	Vertical ± 15°

Features

- MK 7 actuator is fit for assembling with 2 way / 3 way ball valves.
- Material of ball valve can be SCS 304 or SCS 316.
- Acting time is 7 seconds from close position to open position.
- Pressure range from 0 to 10 kg*/cm.
- Potentiometer unit 1K Ohm.(Optional accessories)



Dimensions (mm) - 2Way Ball Valve

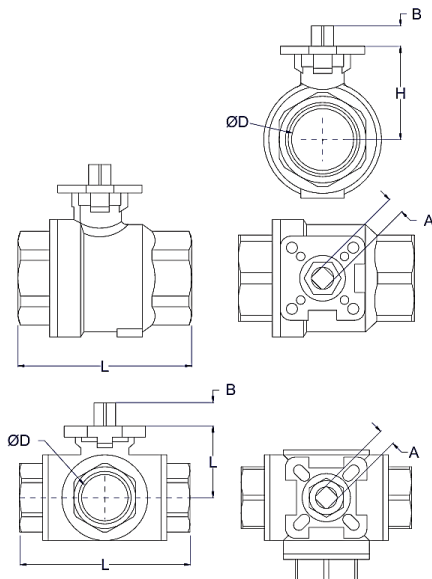
Model	Size	L	H	Weight (kg)
MK7-SSP15	15A	69	223	3.5
MK7-SSP20	20A	80	228	3.6
MK7-SSP25	25A	90	233	3.8
MK7-SSP32	32A	106	240	4.2
MK7-SSP40	40A	120	250	5.5
MK7-SSP50	50A	140	260	8.5

2Way Full Port Ball Valve (mm)

Size	ØD	L	H	A	B	ISO 5211
1/2"	15	69	35	9	10	F03-F04
3/4"	20	80	39	9	10	F03-F04
1"	25.4	90	45	11	14	F04-F05
1-1/4"	32	106	56	11	14	F04-F05
1-1/2"	38	120	63	14	19.5	F05-F07
2"	50	140	75	14	19.5	F05-F07

3Way Full Port Ball Valve (mm)

Size	ØD	L	H	A	B	ISO 5211
1/2"	15	75	38	9	10	F03-F04
3/4"	20	86	41	9	10	F03-F04
1"	25.4	110	47	11	14	F04-F05
1-1/2"	38	137	68	14	19.5	F05-F07
2"	50	158	80	14	19.5	F07



MK7 Motorized Flanged Ball Valve

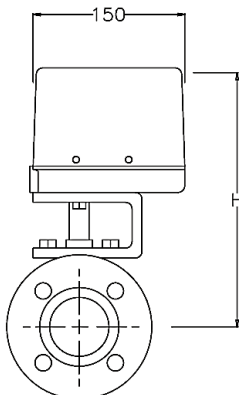
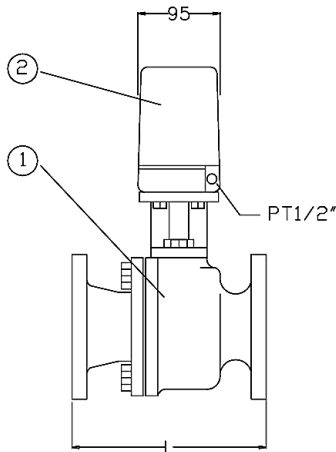


Common Specification

Item	Description
Rated Consumption	• AC100, 110, 115V 50/60Hz • AC200, 220, 230V 50/60Hz
Power Consumption	80VA
Media	Oil, Air, Water
Fluid temp.	-5 ~ 120°C
Ambient Temp.	0 ~ 50°C
Max. Pressure Diff.	10 kgf/cm ²
Max. Pressure	20 kgf/cm ²
Dust/Waterproof	IP65
Time for 90°	~7 sec (60Hz) ; ~7.5 sec (50Hz)
Installation	Vertical ± 15°

Features

- MK 7 actuator is fit for assembling with 2 way / 3 way ball valves.
- Material of ball valve can be SCS 304 or SCS 316.
- Acting time is 7 seconds from close position to open position.
- Pressure range from 0 to 10 kg*f/cm.
- Potentiometer unit 1K Ohm.(Optional accessories)



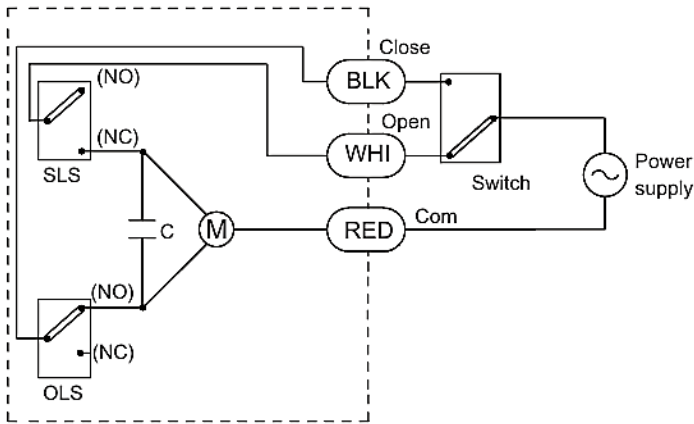
Parts Lists

No.	Descriptions	Material
1.	Ball Valve	FC20, SCS13, SCS14
2.	Motor Actuator	Assembly

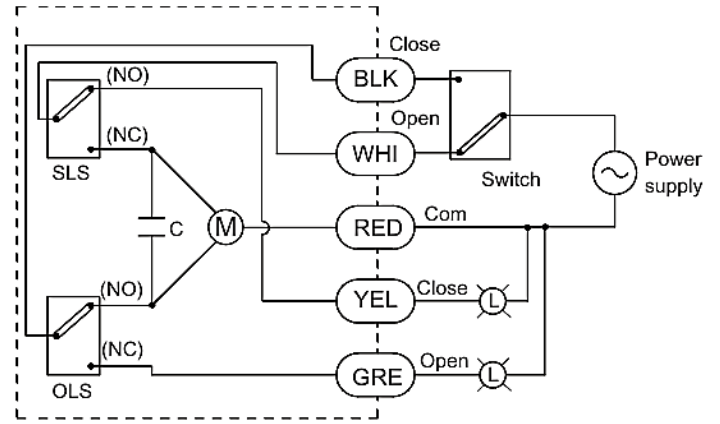
Dimensions (mm)

Model	Size	JIS 10K	L	H	Weight (kg)
MK7-20F	20A	FF	120	247	6.5
MK7-25F	25A	FF	130	247	7.5
MK7-32F	32A	FF	140	254	8.9
MK7-40F	40A	FF	165	267	10.0
MK7-50F	50A	FF	180	272	11.5
MK7-65F	65A	FF	190	290	15.5
MK7-80F	80A	FF	200	303	17.0

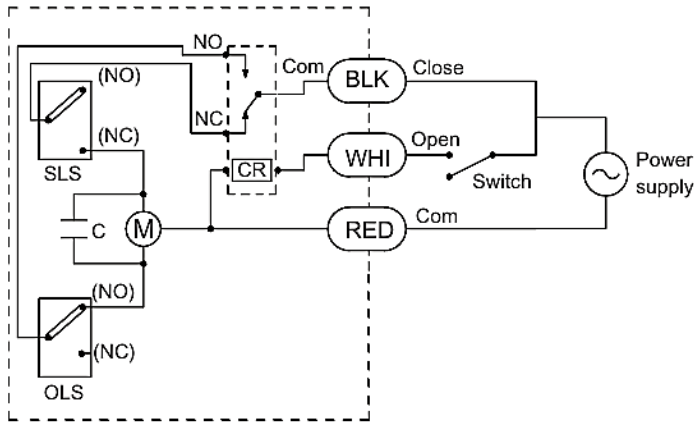
■ 3 wires



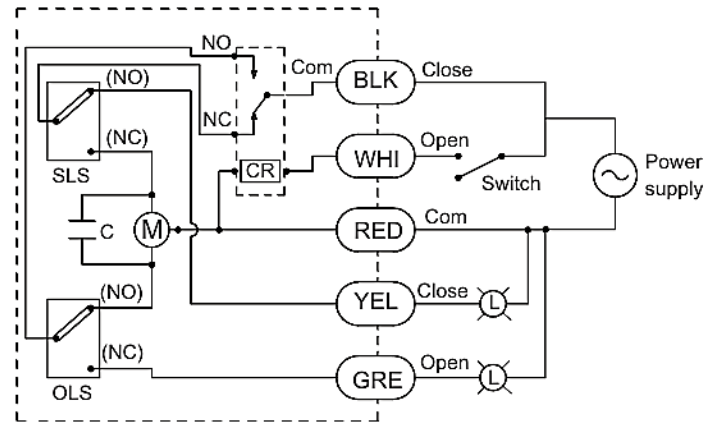
■ 5 wires



■ 3 wires with relay



■ 5 wires with relay



■ Potentiometer unit 1k Ohm. (Optional accessories)

