

MK7 Motorized 3-Way Ball Valve

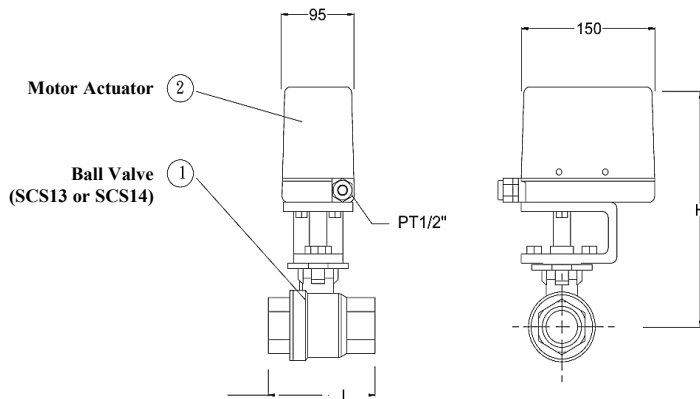
Common Specification



Item	Description
Rated Consumption	<ul style="list-style-type: none"> • AC100, 110, 115V 50/60Hz • AC200, 220, 230V 50/60Hz
Power Consumption	80VA
Media	Oil, Air, Water
Fluid temp.	-5 ~ 120°C
Ambient Temp.	0 ~ 50°C
Max. Pressure Diff.	10 kgf/cm ²
Max. Pressure	20 kgf/cm ²
Dust/Waterproof	IP65
Time for 90°	~7 sec (60Hz) ; ~7.5 sec (50Hz)
Installation	Vertical ± 15°

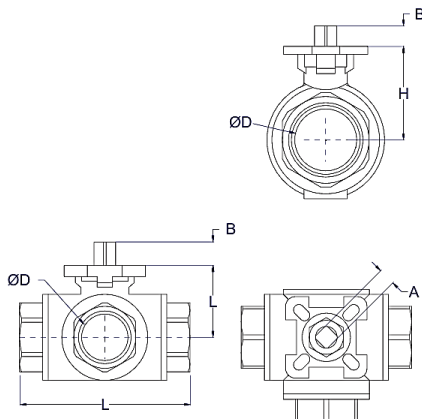
Features

- MK 7 actuator is fit for assembling with 2 way / 3 way ball valves.
- Material of ball valve can be SCS 304 or SCS 316.
- Acting time is 7 seconds from close position to open position.
- Pressure range from 0 to 10 kg*f/cm.
- Potentiometer unit 1K Ohm.(Optional accessories)



Dimensions (mm) - 2Way Ball Valve

Model	Size	L	H	Weight (kg)
MK7-15-3WAY	15A	69	223	3.5
MK7-20-3WAY	20A	80	228	3.6
MK7-25-3WAY	25A	90	233	3.8
MK7-32-3WAY	32A	106	240	4.2
MK7-40-3WAY	40A	120	250	5.5
MK7-50-3WAY	50A	140	260	8.5



3Way Full Port Ball Valve (mm)

Size	ØD	L	H	A	B	ISO 5211
1/2"	15	75	38	9	10	F03-F04
3/4"	20	86	41	9	10	F03-F04
1"	25.4	110	47	11	14	F04-F05
1-1/2"	38	137	68	14	19.5	F05-F07
2"	50	158	80	14	19.5	F07